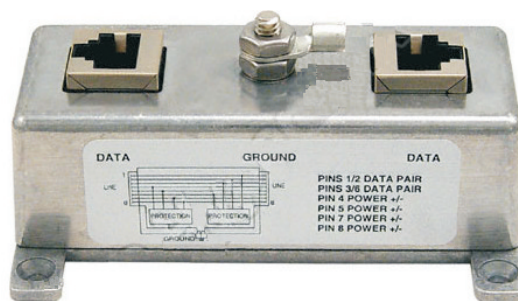


Features

Features

- * Shielded RJ-45 jacks and metal housing for EMI noise suppression
- * 802.3af Power-Over-Ethernet (PoE) compatible
- * 10/100 Base-T CAT5 protection
- * Cisco® Reverse Polarity PoE compatible
- * Alvarion® BreezeACCESS™ VL compatible
- * Industrial grade
- * Cast aluminum construction



Applications

Power-Over-Ethernet (PoE) Compatible

The Shielded CAT5 Lightning Protector provides lightning and surge protection for CAT5 data applications. The unit is compatible with industry-standard IEEE 802.3af Power-over-Ethernet (PoE) devices and 10/100 Base-T Ethernet networks, providing protection to both Ethernet data pairs as well as the PoE DC power feed. High speed semiconductors clamp any voltage, positive or negative on the wires. The limits are +/- 15 volts on pins, 1, 2, 3 and 6 and +/- 58 volts on pins 4, 5, 7 and 8. The unit is compatible with both normal and inverted polarity voltage PoE equipment. Most PoE capable equipment is not protected from surges on its CAT5 cable. The WWP-DP-UTP-01 is compatible with 10/100 Base-T devices with or without Power-over-Ethernet (PoE) capability, including Wireless Access Points, Access Servers and Outdoor Routers that support Power-over-Ethernet (PoE).

Cisco Compatible

This lightning surge protector is compatible with Cisco Aironet® 1100 and 1200 series access points, DC Injectors and other equipment supporting reverse polarity PoE pinouts.

EMI Noise Suppression

The WWP-DP-UTP-01 features shielded RJ45 jacks. This along with the WWP-DP-UTP-01's metal housing helps reduce the effects of EMI interference. Additional features include a ground lug and terminal is provided directly on the lightning protector housing providing superior grounding.

For maximum protection from lightning on long cable runs, two WWP-DP-UTP-01 can be used, one at each end of the cable.

The cast aluminum housing includes integral mounting feet for ease of installation.

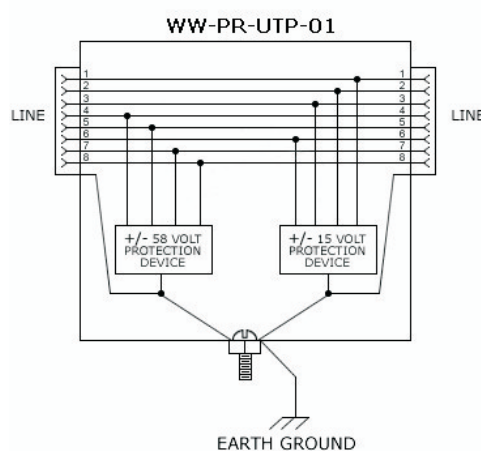
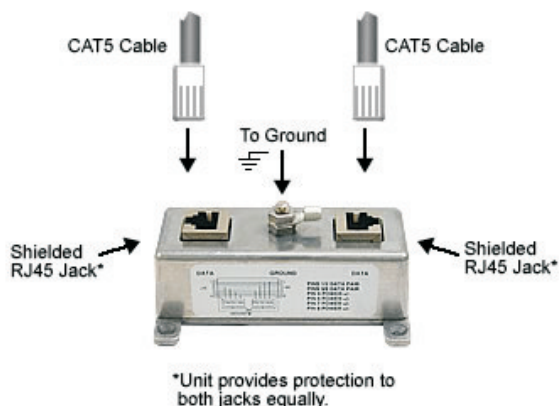


Specifications

Ethernet Connectors:	(2) Shielded RJ45 Jack
Data Lines:	Pair 1: Pins 1 and 2 Pair 2: Pins 3 and 6
Data Clamping Voltage:	15 Volts
PoE Clamping Voltage:	58 Volts
CAT-5 Power Pinouts:	+/- VDC: Pin 4 +/- VDC: Pin 5 ±1.5VDC: Pin 7 +/- VDC: Pin 8

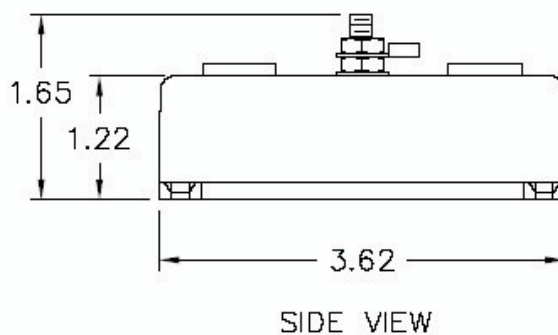
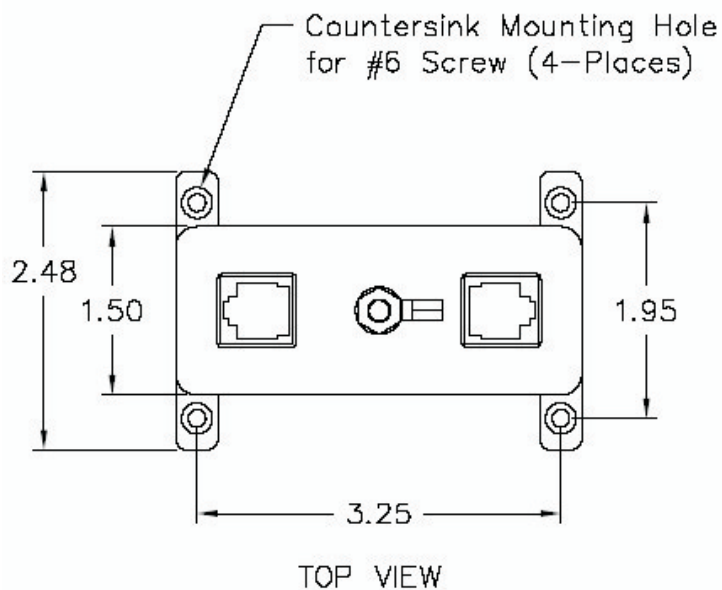
Mechanical Specifications

Enclosure Material:	Cast Aluminum
Ground Lug:	10 AWG Max.
Operating Temperature:	- 40 C (-40 F) to +80 C (+176 F)
Weight:	.28 lbs. (.13 kg)
Dimensions:	3.6 x 1.4 x 1.2 (inches) 91.4 x 35.5 x 38.1 (mm) < 1.2





▣ Dimensiones "lightning surge data protector"



All dimension in inches