



PREFORMED LINE PRODUCTS

Section 9 – COYOTE® Closures & Splice Cases for OPGW & ADSS

Table of Contents

COYOTE Closures and Splice Cases for OPGW and ADSS.....	9-2
COYOTE Closures for OPGW & ADSS	
COYOTE PUP for OPGW & ADSS	
COYOTE RUNT for OPGW & ADSS	
COYOTE Splice Case for OPGW & ADSS	9-4
COYOTE Defender.....	9-5



Contact



+57(1) 284 6932 - 284 6940

www.andeswireless.com

BOGOTA, COLOMBIA



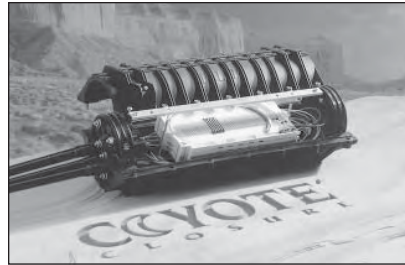
COYOTE® Closures for OPGW & ADSS

The COYOTE Closure Family features durable high-density thermoplastic shells that weigh less than their stainless steel counterparts. For loose tube buffer type fiber, the 6.0" x 22.0" COYOTE Closure handles up to 144 splices and the 8.5" x 22.0" COYOTE Closure handles up to 288 splices. The smaller 6.0" x 17.0" COYOTE PUP Closure can manage up to 48 fiber splices. The compact COYOTE RUNT Closure can manage up to 24 fiber splices.

The COYOTE PUP Closure allows future expansion or "growth" into a COYOTE Closure with minimal cost or disruption to the existing fibers.

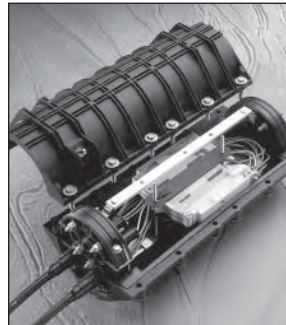
Features of the COYOTE Closure and COYOTE PUP Closure:

- For either dielectric or OPGW cables.
- High strength, low weight, low cost, nonmetallic shells.
- Permanent neoprene gasket and LOCK-TAPE™ Sealing System allow re-entry without re-entry kits/supplies.
- Roomy buffer tube storage system and fiber management trays allowing large bend radii.
- Fiber management system for loose tube buffer (see table). Other versions are readily available (see Section 1).
- End Plate System for butt splicing:
 - one Blank End Plate at one end
 - one Three-Section End Plate with six premolded cable entry ports: four ports for up to 7/8" OD dielectric cables (.785" max. OPGW OD) and two ports for up to 3/4" OD dielectric cables (.660" max. OPGW OD). Drilling not required.
- Optional Three-Section Four Port End Plate is available for cables up to 1 1/4" (See next page).
- Optional Future Cable Port Kits allow for adding cables in the future without disassembling the End Plate. Kits must be ordered and installed during initial assembly.
 - Future cable port for 7/8" ports will accept cables up to .56"
 - Future cable port for 1" ports will accept cables up to .81"
 - Future cable port for 1 1/4" ports will accept cables up to 1"
- When adding future OPGW cables, order additional OPGW Strain Relief Bracket Kits.
- Closures are available that can accommodate other types of fiber optic cable.
- OPGW Strain Relief Bracket Kit provides brackets, clamps and moisture sealing tape required for installing two OPGW cables in End Plate.
- Splice Case Kits are available for OPGW with stainless steel loose-tube fiber bundles, consult factory for details.



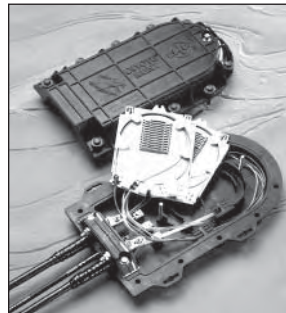
COYOTE Closure

- Two size closures available:
 - 6.0" x 22.0" (152 mm x 559 mm), accommodates up to 4 splice trays (up to 144 splices/closure)
 - 8.5" x 22.0" (216 mm x 559 mm), accommodates up to 8 splice trays (up to 288 splices/closure).
- Both size closures have 36 count splice trays with three 12-count elastomeric splice blocks to retain mechanical splices or protected fusion splices.



COYOTE PUP Closure

- One small size, 6.0" x 17.0" (152 mm x 432 mm)
- Twelve-count fiber splice tray with elastomeric splice block to retain mechanical splices or protected fusion splices.
- Forty-eight fiber splice capacity.



COYOTE RUNT Closure

- One compact size, 8.5"W x 3"H x 14.75"L (216 mm W x 76 mm H x 375 mm L)
- Twelve-count fiber splice tray with elastomeric splice block to retain mechanical splices or protected fusion splices.
- Twenty-four fiber splice capacity.

COYOTE® Closures for OPGW & ADSS

To order, determine:

1. Number of fibers required now and in the future.
2. Cable size and type.
3. Structure type for mounting method.

COYOTE Closures and Splice Trays	
Catalog Number	Description (mm)
COYOTE00058	6.0" x 22.0" (152 x 559) COYOTE Closure Kit for OPGW. Includes closure with organizer/storage compartment (Cat. No. 8006560); OPGW Strain Relief Bracket Kit (Cat. No. 8003296); all required supplies; plus one 36-count tray (Cat. No. 80805514). Will accommodate up to 4 trays per closure (144 maximum splice capacity).
COYOTE00059	8.5" x 22.0" (216 x 559) COYOTE Closure Kit for OPGW. Includes closure with organizer/storage compartment (Cat. No. 8006561); OPGW Strain Relief Bracket Kit (Cat. No. 8003296); all required supplies; plus one 36-count tray (Cat. No. 80805514). Will accommodate up to 8 trays per closure (288 maximum splice capacity).
COYOTE00060	6.0" x 22.0" (152 x 559) COYOTE Closure Kit for dielectric cables. Includes closure with organizer/storage compartment (Cat. No. 8006560); all required supplies plus one 36-count tray (Cat. No. 80805514). Will accommodate up to 4 trays per closure (144 maximum splice capacity).
COYOTE00061	8.5" x 22.0" (216 x 559) COYOTE Closure Kit for dielectric cables. Includes closure with organizer/storage compartment (Cat. No. 8006561); all required supplies plus one 36-count tray (Cat. No. 80805514). Will accommodate up to 8 trays per closure (288 maximum splice capacity).
80805514	36-Count Splice Tray with Elastomer Splice Blocks for COYOTE Closure
80805110	36-Count Splice Tray with fixed
8001127	36-Count Low Profile Splice Tray

COYOTE PUP Closures	
Catalog Number	Description (mm)
8006652	6.0" x 17.0" (152 x 432) COYOTE PUP Closure for OPGW. Includes OPGW Strain Relief Kit (Cat. No. 8003296) and one 12-count Splice Tray (Cat. No. 80806033)
8006653	6.0" x 17.0" (152 x 432) COYOTE PUP Closure for ADSS/Buried Cables. Includes one 12-count Splice Tray (Cat. No. 80806033)
80806033	Twelve-count Splice Tray for COYOTE PUP Closure
80807701	Twelve-count Low Profile Splice Tray

COYOTE RUNT Closures	
Catalog Number	Description
8006695	COYOTE RUNT Closure for OPGW, includes OPGW Strain Relief Kit (Cat. No. 8003479) and one 12-count Splice Tray (Cat. No. 80806033)

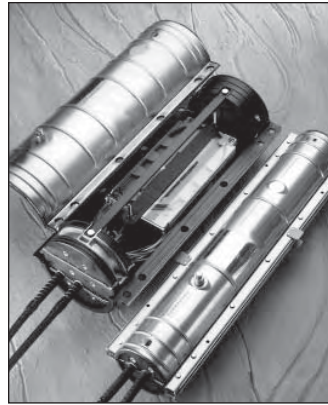
COYOTE Closures and COYOTE PUP Closure Accessories	
Catalog Number	Description (mm)
80805739	Three-Section Four Port End Plate Kit
8003289	Future Cable Port/Cable Installation Kit for 7/8" cable ports(0.56" (14) max. cable). Kit includes Future Cable Port (Cat. No. 8003371) and Future Cable Preparation Kit (Cat. No. 8003291) which can be ordered separately.
8003408	Future Cable Port/Cable Installation Kit for 1" cable ports(0.81" (21) max. cable). Kit includes Future Cable Port (Cat. No. 8003407) and Future Cable Preparation Kit (Cat. No. 8003291) which can be ordered separately.
8003410	Future Cable Port/Cable Installation Kit for 1 1/4" cable ports(1.0" (25) max. cable). Kit includes Future Cable Port (Cat. No. 8003409) and Future Cable Preparation Kit (Cat. No. 8003291) which can be ordered separately.
8003372	Vertical Pole/Structure Mounting Bracket Kit for COYOTE Closure and COYOTE PUP Closure
8003398	Adaptor Bracket for Hughes Brothers Bullet Shield. Bracket mounts to grounding studs on COYOTE Closure End Plate and fastener holes in the Hughes Brothers hanger provided with the Bullet Shield. Fits COYOTE Closure and COYOTE PUP Closure
8003092	FIBERLIGN Fusion Splice Protectors. Non-heat shrink protector closes over splice and fits snugly into elastomer splice blocks in Splice Tray (Cat. No. 80805514) Package of 20
8003296	OPGW Strain Relief Bracket Kit



COYOTE® Splice Case for OPGW & ADSS

The enhanced COYOTE Splice Case with stainless steel shells now features the convenient COYOTE Fiber Management System found in the COYOTE Closure. The COYOTE Splice Case maintains the same air and watertight seal of our FIBERLIGN Stainless Steel Splice Case, but at less cost. For further information about the FIBERLIGN Stainless Steel Splice Case check with our customer service department. Key features of the COYOTE Splice Case include:

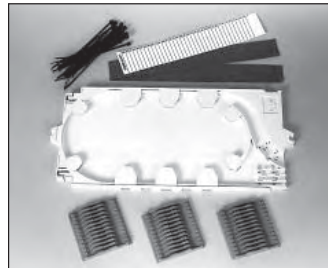
- For either ADSS or OPGW
- Impact and corrosion resistant stainless steel shells.
- LOCKBAR™ Sealing System allows re-entry without re-entry kits/supplies.
- High cable pull-out strength with LOCK-TAPE™ Sealant System.
- Fiber management system for loose tube buffer offered below. Other versions are readily available.
- 6.5" x 28" standard size (other sizes available for up to 648 splices).
- End Plate system available with blank End Plate at one end and one of the following:
 - One blank End Plate, or
 - One Three-section End Plate, field-drilled for any size/configuration.
- Standard size Splice Case accommodates up to four 36-count Splice Trays (144 max. splice capacity).
- Blank Splice Trays with three adhesive backed 12-count Elastomeric Splice Blocks (max. 36 fiber splices per tray)
- Elastomeric Splice Blocks firmly hold mechanical or protected fusion splices.
- Standard Splice Case can accommodate other types of fiber optic cables.
- Splice Case kits are available for OPGW with stainless steel loose-tube fiber bundles. Consult PLP for details.



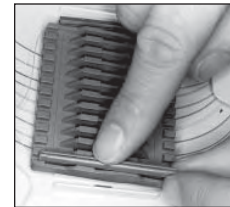
COYOTE Splice Case (p/n 8006684)



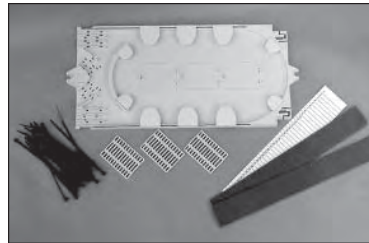
Vertical Mounting Bracket (p/n 8003472)



Splice Tray (p/n 80805514)



Fusion Splice Protector (p/n 8003092)



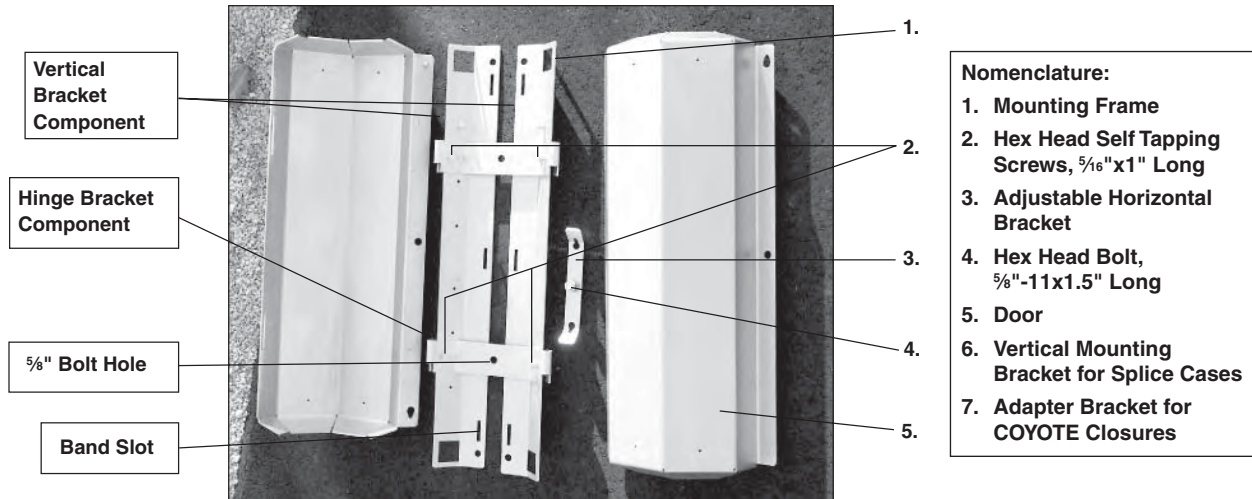
Low Profile COYOTE Splice Tray (p/n 8001127)

Catalog Number	Description (mm)
8006654	6.5"x 28" (165 x 711) COYOTE Splice Case for ADSS or OPGW.* Includes Splice Case Kit, Green Sealant Kit (Cat. No. 8003411), one 36-count Splice Tray (Cat. No. 80805514), one blank End Plate and one Three-Section End Plate (field drilled for specific cable configurations and ODs) and L-Brackets for strength member tie-off.
80805514	36-count Splice Tray with Elastomeric Splice Blocks
8001127	Low Profile COYOTE Splice Tray for up to 36 fusion splices. Protected Fusion Splice only.
8003472	Vertical Mounting Bracket for 6.5", 8" and 9.5" (165, 203, and 241) COYOTE Splice Cases. Includes two brackets and associated hardware (curved or flat surfaces).
8003092	Fusion Splice Protector. Hinged plastic protector closes onto fusion splice area. The protector fits snugly into elastomer splice blocks (Cat. No. 80805514). Twenty (20) units per package.
80804986	Three-Section End Plate Kit for 6.5" (165) COYOTE Splice Cases. Field drilling required.
8003421	¾" (19) Field-Installed Future Port/Cable Installation Kit [0.80" (20) max. cable]. Kit includes Future Cable Port (Cat. No. 8003412) and Future Cable Preparation Kit (Cat No. 8003420) which can be ordered separately.
8003422	1.0" (25) Field-Installed Future Port/Cable Installation Kit [1.0" (25) max. cable]. Kit includes Future Cable Port (Cat. No. 8003413) and Future Cable Preparation Kit (Cat No. 8003420) which can be ordered separately.

* Catalog No. 8006654 is suitable for OPGW cable with plastic loose tube buffer tubes that can be brought into the 36 count splice trays. Other metallic non-flexible buffer tubes may require a transition compartment. Contact PLP for more information.

COYOTE® Defender Splice Case & Closure Protection

COYOTE Defender for ADSS or OPGW Fiber Optic Cable



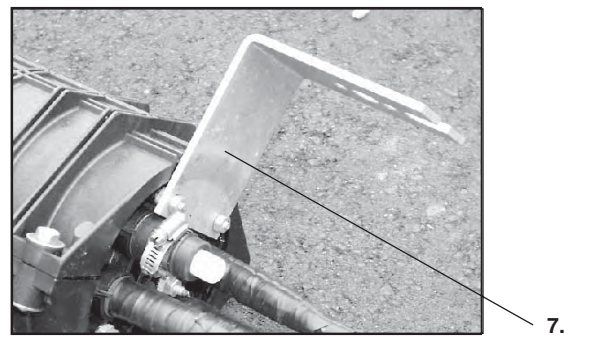
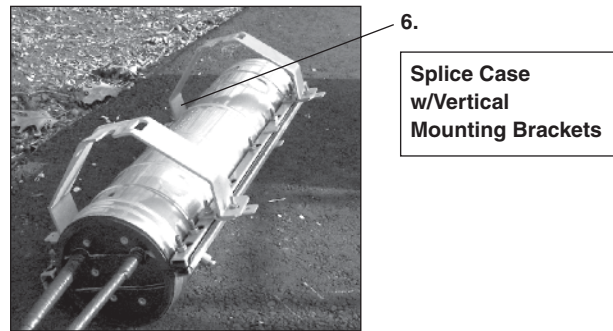
- Nomenclature:**
1. Mounting Frame
 2. Hex Head Self Tapping Screws, 5/16"x1" Long
 3. Adjustable Horizontal Bracket
 4. Hex Head Bolt, 5/8"-11x1.5" Long
 5. Door
 6. Vertical Mounting Bracket for Splice Cases
 7. Adapter Bracket for COYOTE Closures

General Information:

The COYOTE Defender provides added protection for a) COYOTE Splice Case sizes 6.5", 8", and 9.5" up to 28" long and b) COYOTE Closure sizes 6.0" and 8.5" - all lengths. The Mounting Frame comes assembled from the factory. Hinge Brackets and Vertical Bracket components are fastened with 5/16"x1" long self tapping screws. The Hinge Brackets are positioned 19" apart to mount the 28" long COYOTE Splice Cases. All other Splice Cases and Closures are accommodated with the Adjustable Horizontal Bracket. Two large doors and the mounting frame surround the closure or splice case and allow easy access for future maintenance or expansion. The frame can be installed first, followed by each door (each door weighs 38#) thus reducing the chore of lifting a bulky steel unit - this makes the Lineman's task manageable and less hazardous.

MOUNTING OPTIONS: The COYOTE Defender can be mounted with thru bolts, DA bolts, or banding. The frame will accept standard 5/8" thru bolts and DA bolts. Use the mounting frame as a template to locate positions for drill through on wood pole structures. Double Arming bolts must not extend 1.5" beyond the Hinge Bracket surface to avoid splice case interference. Banding slots are provided in 6 positions along the frame. The banding slots will accept up to 1.5" wide banding. For banding applications, 5/8" x 1.5" bolts are used to provide attachment to the mounting frame.


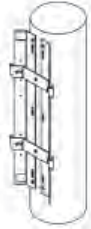
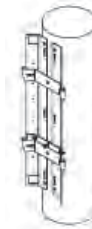
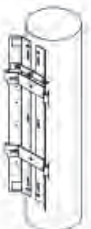
ORDERING INSTRUCTIONS: Two catalog numbers are available, one for COYOTE Splice Case applications, and the other for the COYOTE Closure applications. The Defender kit for the COYOTE SPLICE CASE (#8003491) includes a Vertical mounting bracket kit to hang the case onto the mounting frame of the Defender. Likewise, the Defender kit for the COYOTE Closure (#8003492) includes an adapter bracket kit to hang the closure onto the mounting frame of the Defender.





COYOTE® Defender Splice Case & Closure Protection

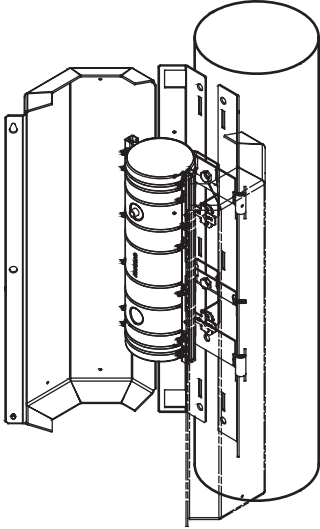
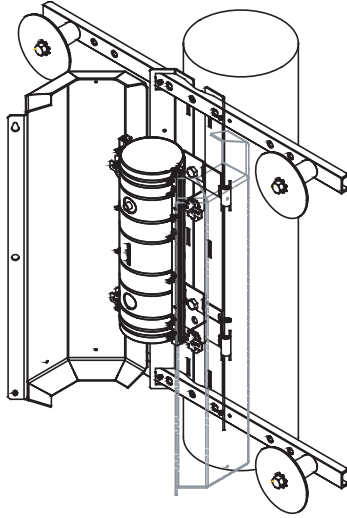
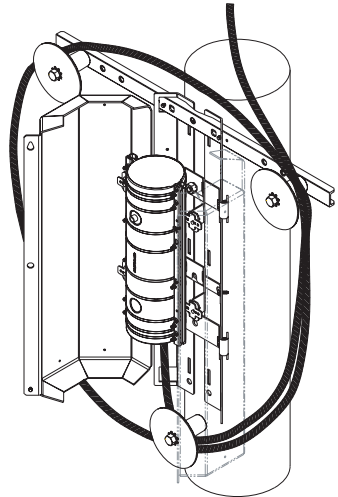
The Adjustable Horizontal Bracket is not required for the 28" long Splice Cases. However this bracket can be positioned on the mounting frame to adapt the other sizes - these positions are listed in the FRAME CONFIGURATION column of the following table.

COYOTE Defender Catalog Numbers And Frame Configuration			
Application		Defender Catalog No.	Frame Configuration
Type	Size (mm)		
COYOTE Splice Case	6.5" X 22" (165 X 559)	8003491	
	6.5" X 28", 8" X 28", 9.5" X 28" (165 X 711, 203 X 711, 241 X 711)	8003491	
COYOTE Closure	6" X 17" COYOTE PUP (152 X 432)	8003492	
	6" X 22", 8.5" X 22" (152 X 559, 216 X 559)	8003492	
<p>Accessories: Vertical Cable Storage Assemblies: 1) Double Arm Configuration: Order 2 ea. Cat. No. 8003493 2) Triple Spool/Single Arm: Order 1 ea. Cat. No. 8003493 and 1 ea. Cat. No. 8003503 3) Banded Triple Spool/Single Arm: Order 1 ea. Cat. No. 8003493 and 1 ea. Cat. No. 8003503b1 Note: The Coyote Defender frame accepts the standard cross arm of vertical cable storage assemblies, 5/16 x 1 self tapping screws lock arms into place.</p>			

COYOTE® Defender Splice Case & Closure Protection

Accessories:

Vertical Cable Storage Assemblies found earlier in this section can be used with the COYOTE Defender. Large rectangular slots at the top and bottom of the mounting frame accept the Cable Storage Cross Arm. Catalog Numbers for suggested configurations #1, #2, and #3 are noted in the table.

COYOTE Defender with and Without Vertical Cable Storage Accessories		
Configuration #1	Configuration #2	Configuration #3
		
Basic Kit	Kit With Two Cable Storage Assemblies	Kit With One Cable Storage Assembly and One Spool
Splice Case not included		